



NOTES:

1. SET TOP OF STEEL ELEVATION OF NEW STEEL SO THAT TOP OF NEW CATWALK GRATING MATCHES TOP OF EXISTING CATWALK GRATING.
2. SET TOP OF GRATING LEVEL WITHIN THE FOLLOWING TOLERANCES: SLOPE OF NEW WALKWAY SHALL NOT BE MORE THAN 1/2" OVER THE LENGTH OF THE WALKWAY AND SHALL NOT BE MORE THAN 1/4" TRANSVERSE TO LONG DIMENSION OF NEW WALKWAY.
3. USE GRIPS STRUT WALKWAYS WITH INTEGRAL KICK PLATES FOR 2'-6" WIDE CATWALKS. USE EXPANDED METAL GRATING FOR 5'-0" WIDE CATWALK.

FRAMING PLAN AT ELEVATION 762'-7 1/4"
SCALE: 1/4" = 1'-0"

NO.	REVISIONS	DSGN	CHKD	APVD	DATE


Stanley Consultants INC.
225 Iowa Avenue, Muscatine, Iowa 52761-3764
www.stanleyconsultants.com

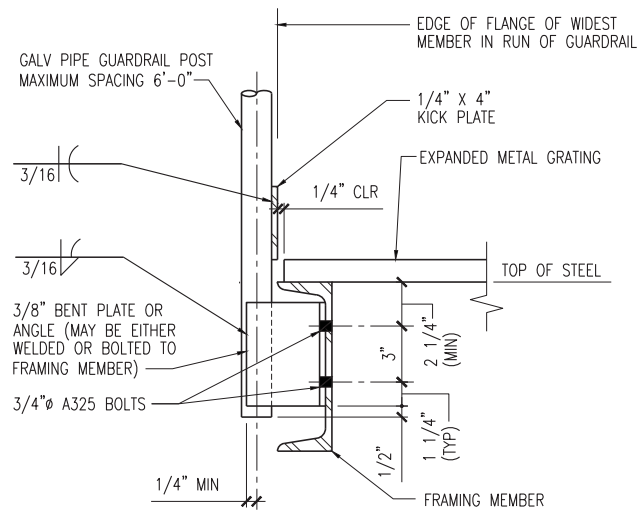

CEDAR RAPIDS
City Of Five Seasons

CITY OF CEDAR RAPIDS
 LPO REACTOR WALKWAYS
 CEDAR RAPIDS, IOWA

FRAMING PLAN

DESIGNED: JM CASE	SCALE: AS NOTED NO. 26302.01 S1	REV. 0
DRAWN: N VEGA		
CHECKED: JM CASE		
APPROVED: LH BADTRAM		
DATE: OCTOBER 27, 2015		

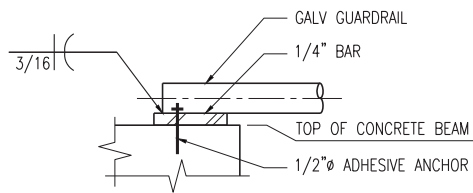
CADD: D3-R4



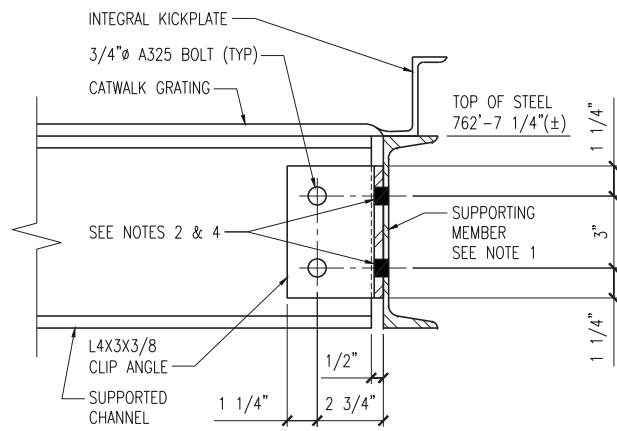
NOTES:

1. ~~TOP GUARDRAIL 2'-6" ABOVE WALKWAY SURFACE. MIDDLE GUARDRAIL HEIGHT TO MATCH EXISTING.~~
2. GUARDRAILS AND POSTS SHALL BE 1 1/2" DIAMETER STANDARD WEIGHT STEEL PIPE ASTM A53. GRADE B OR ASTM A501.
3. OMIT KICK PLATE WHERE KICK PLATE IS INTEGRAL WITH METAL GRATING WALKWAY.

TYPICAL GUARDRAIL AND KICK PLATE DETAIL
SCALE: NONE



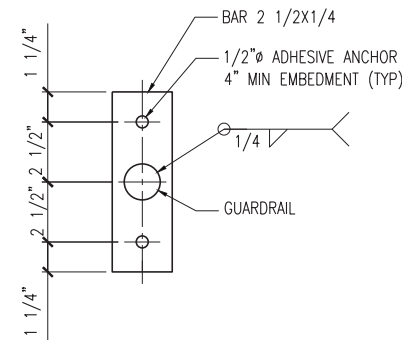
ALTERNATE MIDDLE GUARDRAIL ATTACHMENT TO CONCRETE DETAIL
SCALE: NONE



NOTES:

1. CONNECTION TYPICAL FOR CHANNEL TO CHANNEL, CHANNEL TO EXISTING W12X27 AND CHANNEL TO EXISTING CONCRETE BEAM CONNECTIONS. CHANNEL TO CHANNEL CONNECTION SHOWN.
2. FOR CONNECTION OF CHANNEL TO EXISTING W12X27 AND CONNECTION OF CHANNELS, CLIP ANGLE MAY BE BOLTED OR WELDED TO W12X27 OR SUPPORTING CHANNEL AT CONTRACTOR'S OPTION. FOR BOLTED CONNECTIONS USE 3/4" DIAMETER A325 BOLTS FOR EACH MEMBER AS SHOWN.
3. COPE TOP OF CB AS NEEDED WHEN FRAMING INTO EXISTING W12X27 TO MAINTAIN SAME TOP OF GRATING ELEVATION WITH EXISTING CONSTRUCTION.
4. FOR CONNECTION OF CHANNEL TO EXISTING CONCRETE BEAM USE TWO 1/2" STEEL THREADED ROD ADHESIVE ANCHORS WITH 4" MINIMUM EMBEDMENT. SEE MATERIAL NOTES FOR ADHESIVE ANCHOR REQUIREMENTS.

TYPICAL BEAM CONNECTION DETAIL
SCALE: 3"=1'-0"



GUARDRAIL ATTACHMENT TO CONCRETE DETAIL
SCALE: 3"=1'-0"

Height of new guardrail to match the height of the existing guardrail. The top bar of the existing guardrail is approximately 40 1/2 inches.

NO.	REVISIONS	DSGN	CHKD	APVD	DATE

CITY OF CEDAR RAPIDS
LPO REACTOR WALKWAYS
CEDAR RAPIDS, IOWA

TYPICAL DETAILS

DESIGNED: JM CASE	SCALE: AS NOTED
DRAWN: NVEGA	NO. 26302.01
CHECKED: JM CASE	REV. 0
APPROVED: LH BADTRAM	S2
DATE: OCTOBER 27, 2015	

CADD: D3-104